

**THE
SHARPER
IMAGE®**

BBQ Grill Light & Fan



#6113

Instruction Manual

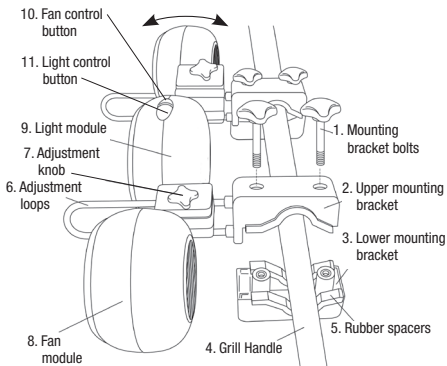
WARNING

- THIS PRODUCT IS NOT A TOY. NOT TO BE USED BY CHILDREN.
- DO NOT LOOK DIRECTLY AT THE BULB - DOING SO MAY CAUSE EYE DAMAGE.
- USE EXTREME CAUTION WHEN USING THE BBQ FAN & LIGHT. IF AT ANY TIME THE BBQ FAN & LIGHT BECOMES TOO HOT, ALLOW AMPLE TIME FOR YOUR BBQ GRILL TO COOL DOWN, THEN REMOVE THE BBQ FAN & LIGHT AND DISCONTINUE USE.
- THIS PRODUCT SHOULD NOT BE USED ON KETTLE GRILLS.
- HANDLE BBQ FAN & LIGHT WITH CARE.
- STORE AWAY FROM CHILDREN.
- DO NOT LEAVE THIS PRODUCT IN AN UNCOVERED AREA AS THIS MAY CAUSE WEATHER RELATED DAMAGE TO ELECTRICAL COMPONENTS.

MOUNTING

1. Unscrew and remove the mounting bracket bolts (1) from the upper and lower mounting brackets (2) and (3).
2. Center BBQ Grill Light & Fan across grill handle (4) so that the grill handle (4) sits inside the openings of the upper and lower mounting brackets (2) and (3).
3. Partially screw in place the mounting bracket bolts (1). Adjust product to the appropriate angle, and securely tighten bolts (1).

NOTE: It may be necessary to remove the rubber spacers (5) from the upper and lower



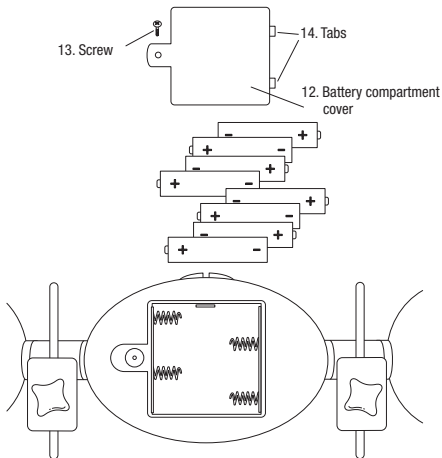
mounting brackets if your BBQ grill's handle is too thick.

- To adjust the distance between the BBQ Grill Light & Fan and the grill, loosen the adjustment knob (7), slide product up or down on the adjustment loops (6), and when satisfied, tighten adjustment knob (7) securely.

TO USE

- Press fan control button (10) to turn the fans (8) on and off.
- Press the light control button (11) to operate the light.
- The fans (8) can be rotated individually for premium performance so that any smoke from the grill can be safely deflected away.
- The light module (9) rotates for best lighting conditions while grilling at night; adjust as desired.

BATTERY INSTALLATION AND REPLACEMENT



This product requires 8 x 1.5V “AA” batteries (not included).

Using a Phillips head screwdriver, remove screw (13) and lift off battery compartment cover (12). Install batteries according to the polarity drawing indicated. Replace battery compartment cover (12), make sure to align tabs (14) and tighten screw (13) securely to close.



CAUTION – Battery Safety Information

- Non-rechargeable batteries are not to be recharged
- Rechargeable batteries must be removed before recharging
- Rechargeable batteries should only be recharged under adult supervision
- Do not mix alkaline, standard (carbon-zinc), or rechargeable (nickel-cadmium) batteries
- Exhausted batteries are to be removed
- Do not mix old and new batteries
- Do not dispose of batteries in fire; batteries may explode or leak
- Do not dispose of product in fire; batteries may explode or leak
- If this product will not be used for an extended period of time, remove the batteries from the product
- The supply terminals are not to be short-circuited
- Batteries are to be inserted with correct polarity
- Clean the battery contacts and also those of the product prior to battery installation
- As always, dispose of batteries in an eco-friendly manner

MAINTENANCE & STORAGE

- If necessary, wipe clean with a damp cloth using water only.

The Sharper Image name and logo are registered trademarks.
Manufactured and Marketed by EB Brands, Hazleton, PA 18202 U.S.A,
866-677-1885
Under license from Sharper Image, © Sharper Image. All rights reserved.
SH6113IS01ENB