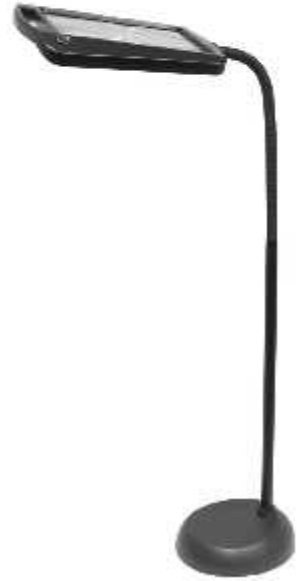


daylight24™

natural daylight anytime

Model#402039

Lighted Full Page Magnifier



Please Read Carefully

SAVE THESE INSTRUCTIONS

Thank you for purchasing a Balanced Spectrum lamp!
If you have a question about your lamp, please call us at:

info@daylight24.com

IMPORTANT SAFETY INSTRUCTIONS

INSTRUCTIONS PERTAINING TO THE RISK OF INJURY TO PERSONS:

To reduce the risk of INJURY TO PERSONS:

- 1) Turn off/unplug and allow to cool before cleaning or other maintenance.
- 2) Do not look directly at lighted bulb.
- 3) Keep lamp away from materials that may burn.
- 4) Do not remain in light if skin feels warm.

CAUTION:

KEEP MAGNIFIER LAMP AWAY FROM DIRECT SUNLIGHT WHEN NOT IN USE.

ASSEMBLY INSTRUCTIONS

- 1) Lay out all parts on a smooth surface as shown in illustration(FIG1).
- 2) Screw post (B) to base (A) and tighten.
- 3) Position gooseneck (F) and shade (I) so that the entire piece is vertical as per FIG2. Then, screw the pole(E) into the gooseneck (F) and tighten.
- 4) Insert loose cord into pole (E) as FIG3.
- 5) Screw the pole (E) into pole (B) and tighten.
- 6) Adjust the lamp to desired height using the flexible gooseneck.
- 7) Insert the male plug of adapter (G) into female jack of lamp (H).
- 8) Plug adapter into outlet and use the rocker on/off switch (C) to enjoy.

HOW TO USE:

The reading surface must be held directly parallel to the lens for optimal viewing. Image may appear distorted if not held parallel.

MAINTENANCE:

- 1) To clean use a soft cloth only.
- 2) Do not use any chemical or abrasive cleaners.

NOTE: This lamp uses specially formulated LEDs that simulate the characteristics of the sun. The light will appear brighter and whiter compared to a normal incandescent bulb and will provide many of the benefits of natural sunlight. In addition, these LEDs are energy efficient and eco-friendly. They are not replaceable but should last up to 50,000 hours.

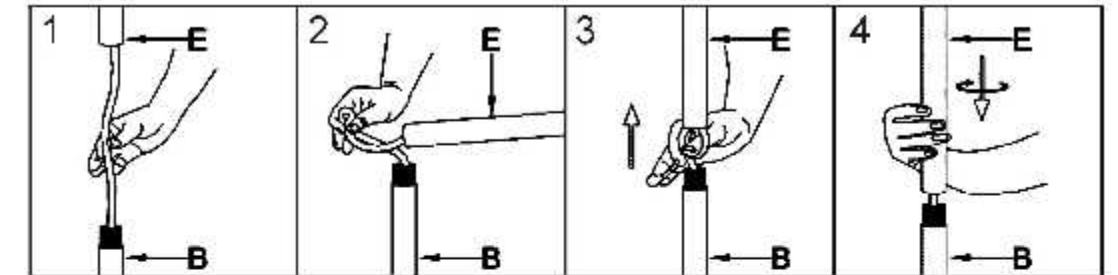
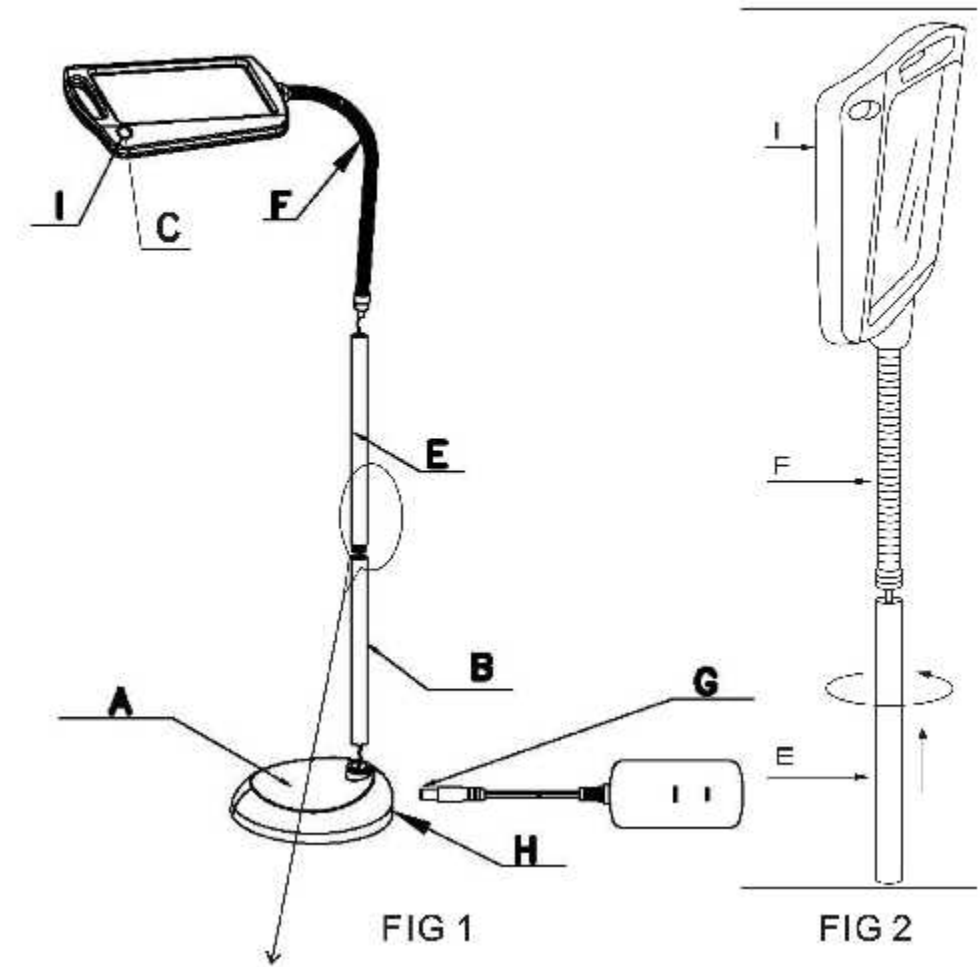


FIG 3

Helpful Hint: When inserting the excess wire into the tube, using only your thumb and index finger should allow you easier access to fit the wires inside.